

Material:

- △ * Insulator:
LCP With 35% GF/mineral. or
Nylon 9T UL 94V-0
- * Contact: Phosphor Bronze
- * Pick & Place Pad:
High Temperature Plastic

Ordering Code:

CBC1 ** * M 1 0 0 - 2 P

① ② ③ ④ ⑤ ⑥ ⑦ ⑧ ⑨

- ① Series No.
- ② No. of Contact:
△ With Key: 20,30~60
Without Key: 06~60
- △△③ Plating code:
2= Gold flash plated over
1.27μm(50μ") Nickel
3= 0.38μm(15μ") Gold plated
over 1.27μm(50μ") Nickel
4= 0.76μm(30μ") Gold plated
over 1.27μm(50μ") Nickel
- ④ Tail Style: M = SMT Type
- ⑤ Insulator Color: 1 = Black
- ⑥ Other option:
0= Without Key and Peg
1= With Key and Peg
2= Without Key , With Peg
- ⑦ Material option: 0= LCP With 35% G.F/mineral
M= Nylon 9T
- ⑧ Pin Size for mate Pin header:
2=0.4 Square Pin
- △⑨ 0=Without Pick & Place Pad
P=With Pick & Place Pad
A=With Pick & Place Pad (Tube packaged)

DIM. A = 1.27 X No. of Spaces

DIM. B = DIM. A + 1.67


DIM. C = DIM. A + 3.05

△ * Available in 6 through 60 Circuits

Recommended P.C. Board Layout

Lead Free Process

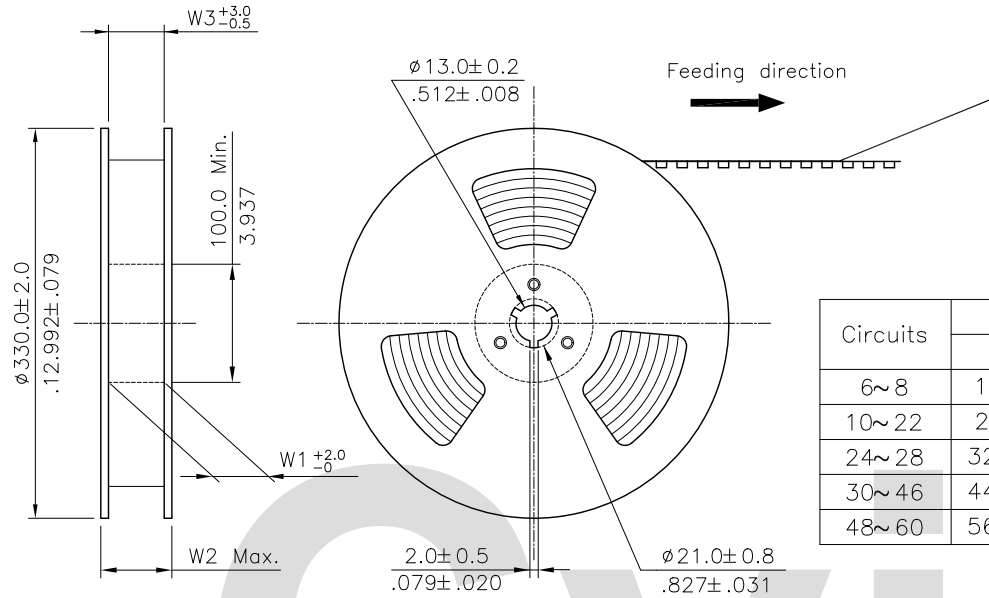
RoHS Compliant

10	Enya	4/25-13'	ECN13090-0/ECR13033-0		DATE	UNIT: mm / inch	TITLE: 1.27 X 1.27mm SMT TYPE SOCKET	 瀚荃股份有限公司 CviLux Corporation	
9	Sun	11/18-09'	ECN09531/ECR09117-1	DRAWN BY: Enya	4/29-13'	TOLERANCE UNLESS OTHERWISE SPECIFIED	MATERIAL:		
8	Sandy	5/14-08'	ECN08222/ECR08046-1	ENGINEER: Easley	5/06-13'	.X ± 0.25/.010 X: ± 1'	FINISH:	DRAWING NO. CBC105SL	PART NO. CBC1***M1**-2*
7	Sandy	5/10-07'	ECN07156/ECR07018-1	CHECKED BY: Easley	5/06-13'	.XX ± 0.13/.005 .X: ±		SCALE 6 / 1	SHEET 1 OF 2
SYM	NAME	DATE	REVISIONS	APPROVED BY: David	5/06-13'	.XXX ± 0.08/.003 .XX: ±			

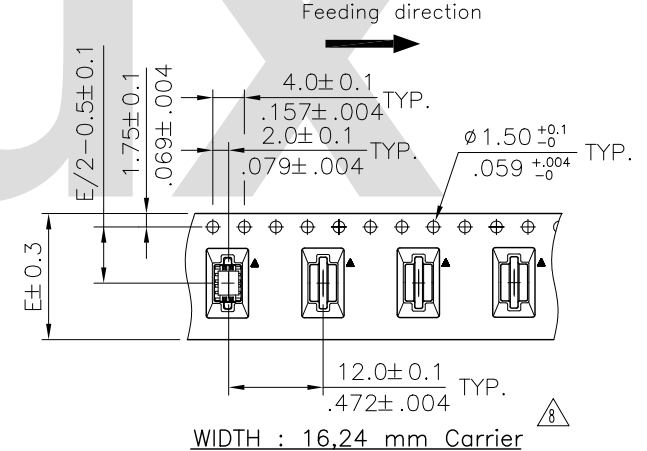
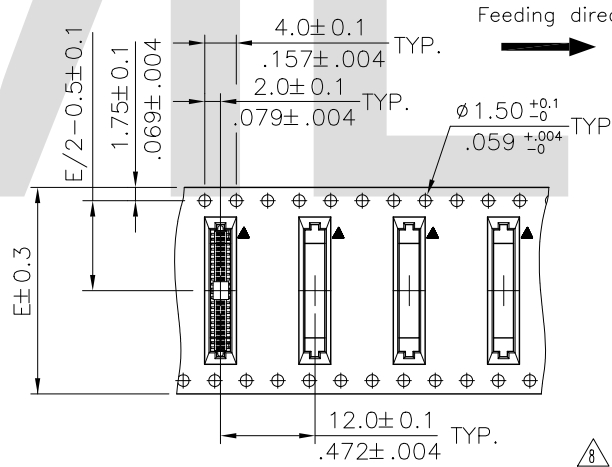
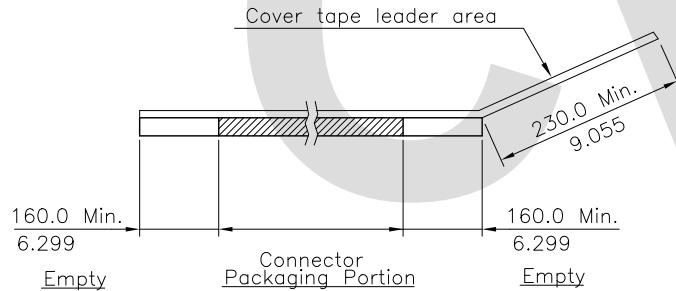

 2013.05.16
 ISSUED

NOTE :

- * Reel Material : Corrugated Paper
- * Carrier Material : Black, Conductive Polystyrene Alloy
- * Cover Tape Material : Polyester
- * Cover Tape Peel Strength : 0.1N – 1.3N
- * Carrier camber is within 1mm in 100mm
- * All dimensions meet EIA-481-B requirements.
- * Quantity : 800 PCS/Reel



Circuits	Dimension					Packing (Reel/Carton)
	E	F	W1	W2	W3	
6~8	16.0(.630)	-----	16.5(.650)	22.5(.886)	16.5(.650)	11
10~22	24.0(.945)	-----	24.5(.965)	30.5(1.201)	24.5(.965)	9
24~28	32.0(1.260)	28.4(1.118)	32.5(1.280)	38.5(1.516)	32.5(1.280)	7
30~46	44.0(1.732)	40.4(1.591)	44.5(1.752)	50.5(1.988)	44.5(1.752)	5
48~60	56.0(2.205)	52.4(2.063)	56.5(2.224)	62.5(2.461)	56.5(2.224)	4



WIDTH : 32,44,56 mm Carrier

RoHS Compliant

SYM	NAME	DATE	REVISIONS	APPROVED BY:	DATE	UNIT: mm / inch	TITLE: 1.27 X 1.27mm SMT TYPE SOCKET	MATERIAL:	FINISH:	DRAWING NO. CBC105SL	PART NO. CBC1***M1**-2*	SCALE	SHEET 2 OF 2
10	Enya	4/25-13'	ECN13090-0/ECR13033-0		DATE	UNIT: mm / inch	TITLE: 1.27 X 1.27mm SMT TYPE SOCKET						
9	Sun	11/18-09'	ECN09531/ECR09117-1	DRAWN BY: Enya	4/29-13'	TOLERANCE UNLESS OTHERWISE SPECIFIED							
8	Sandy	5/14-08'	ECN08222/ECR08046-1	ENGINEER: Easley	5/06-13'	.X ±							
7	Sandy	5/10-07'	ECN07156/ECR07018-1	CHECKED BY: Easley	5/06-13'	.XX ±							
				APPROVED BY: David	5/06-13'	.XXX ±							

CVILUX CORP
2013.05.16
ISSUED

瀚荃股份有限公司
CviLux Corporation