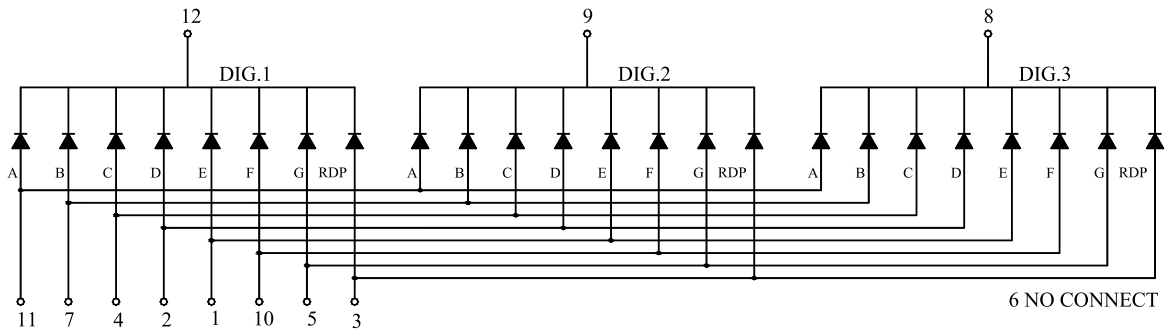


Internal Circuit:

Common Cathode



Common Anode

